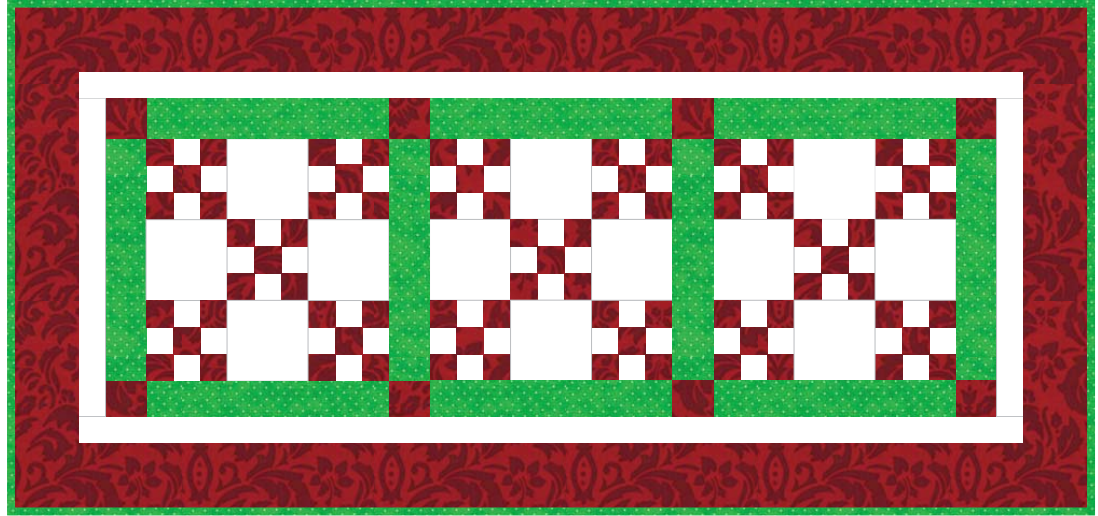


pellon[®]

*The Magic
in the Middle*

Double Nine Patch Straight Set Table Runner Skill Level: Intermediate



Add creativity to your holiday table with the addition of this table runner in festive Christmas colors or orange, green and yellow for Thanksgiving. This 16" x 40" table runner makes a nice hostess gift item. The combination of Insul-Fleece™ topped with cotton batting provides a safe place to put hot dishes.

Fabrics Needed

Fabric A	5/8 yd
Fabric B	1/2 yd
Fabric C	Fat Quarter
Fabric D	1/2 yd (includes 1/4 yd for binding)
Backing	1/2 yd

Materials Needed

975 Insul-Fleece™	1/2 yd
Legacy™ Natural Cotton NB-96 (natural) or CB-96 (white for light colored fabrics)	1/2 yd
Thread	

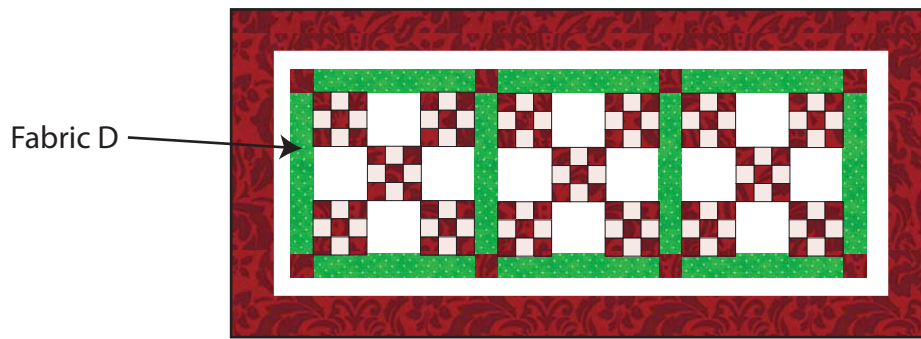
Tools Needed

Sewing Machine and related tools
Rotary Cutting mat
Rotary Cutter
Rotary Cutting ruler

Graphic Artist Alexandra Henry

PERMISSION IS GIVEN TO REPRODUCE FOR PERSONAL USE ONLY ©2011 - PCP Group, LLC

Cutting and Sewing Instructions



For Blocks

Fabric A Five 1 1/2" strips
 Fabric B Four 1 1/2" strips
 Fabric C Twelve 3 1/2" squares

For Cornerstones

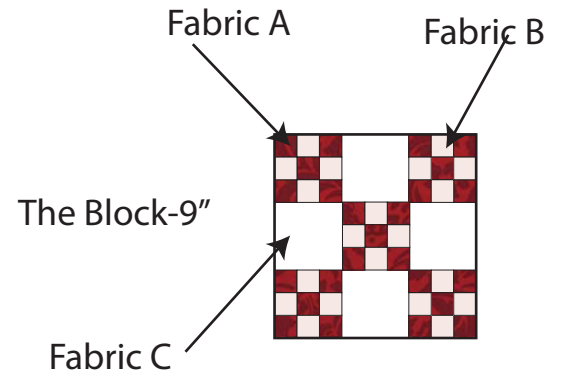
Fabric A Eight 2" squares

For Sashing

Fabric D Ten 2" x 9 1/2" rectangles

For Borders

Fabric B Three 1 1/2" strips
 Fabric A Three 3" strips



Sew units as shown. Press toward the dark.

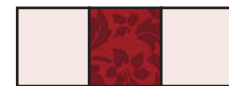


Make 2

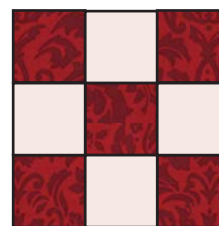


Make 1

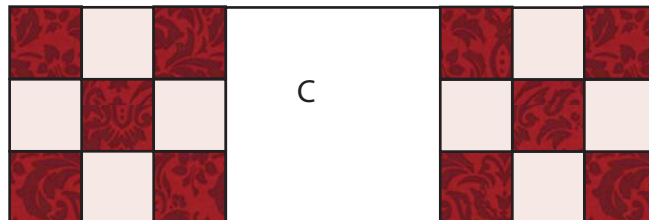
Cut units into 1 1/2" strips.



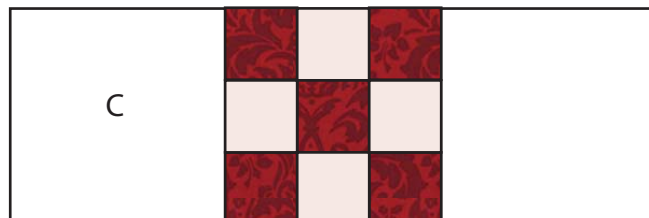
Sew strips into 9-patch blocks as shown, press to one side.



Sew rows using the 9-patch blocks and the plain fabric C blocks as shown. Press towards fabric C.

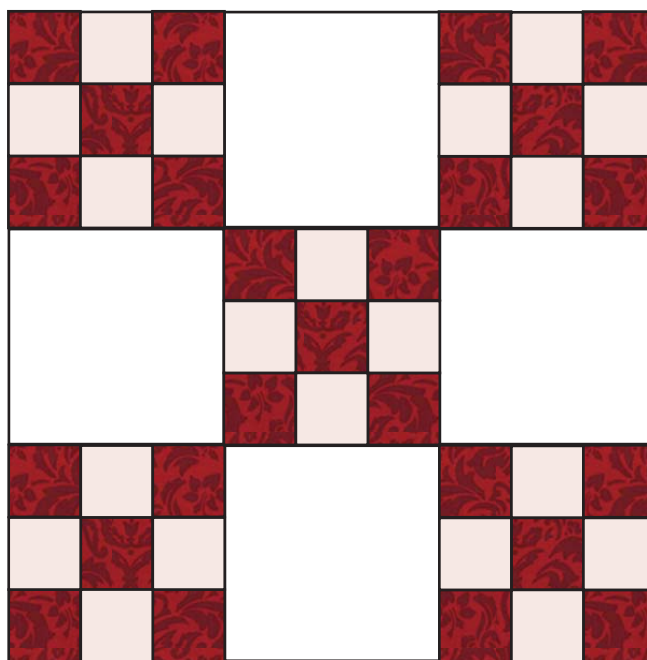


Make 6 of these rows

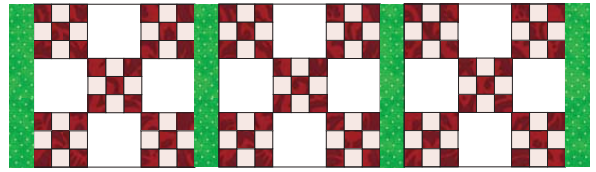


Make 3 of these rows

Sew rows into block as shown. Make 3 blocks .



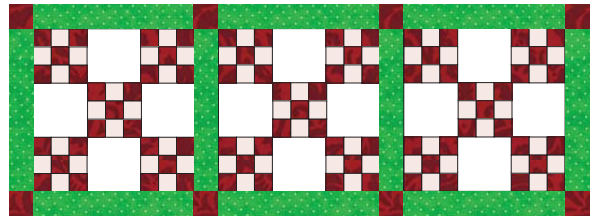
Sew a sashing strip to the sides of each block, creating the center unit of the table runner. Press toward sashing strips.



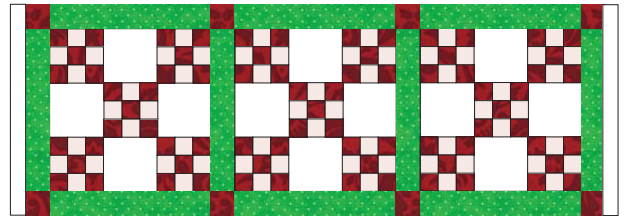
Sew sashing strips to cornerstones as shown. Make two.



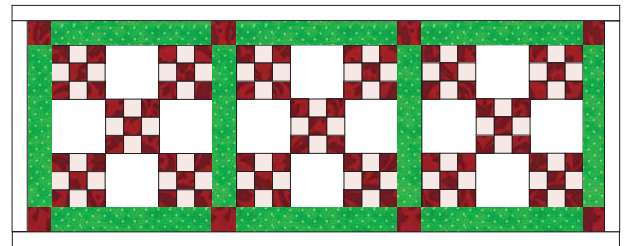
Sew the two sashing strip units to the top and bottom of the center unit as shown. Press towards sashing.



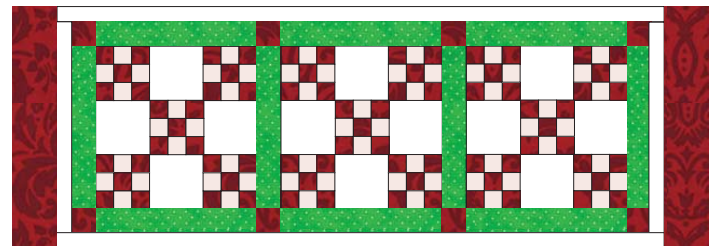
Cut the 1 1/2" border strips into four pieces, two 1 1/2" x 12" and two 1 1/2" x 35". Sew the two short pieces on the ends of the table runner using a 1/4" seam allowance. Press outward toward the border (unless pressing towards white fabric).



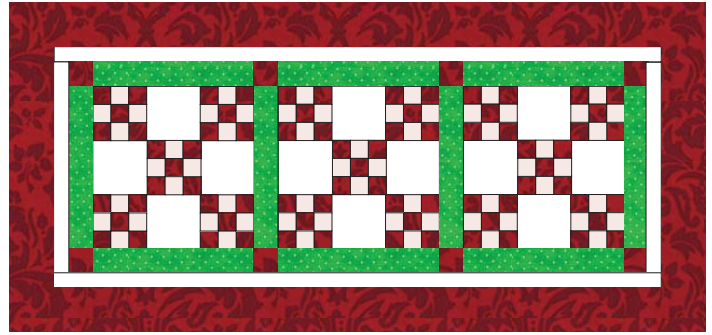
Sew the two longer pieces on the top and bottom of the table runner using a 1/4" seam allowance. Press towards the border.



For outside border, cut two pieces 3" x 14" and two pieces 3" x 40". Sew the two short pieces on each end of the table runner as shown. Press outward toward the border.



Sew the two longer pieces on the top and bottom of the table runner using a 1/4" seam allowance. Press towards the border.



Cut the backing 17" x 41". Press. Place backing on table, right side down. Cut the Insul-Fleece™ and cotton batting the same size as the backing. Lay the Insul-Fleece™ on the backing first and smooth. Insul-fleece does not have a right or wrong side. Lay the cotton batting on top of that. Smooth carefully. Place the table runner on top of the cotton batting, right side up. Smooth and pin all layers together.

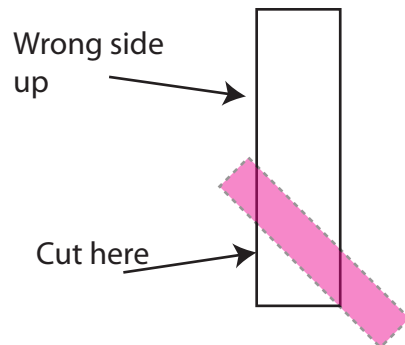
Quilt all layers together, either in the ditch or by meandering.

See binding instructions to make and attach binding.

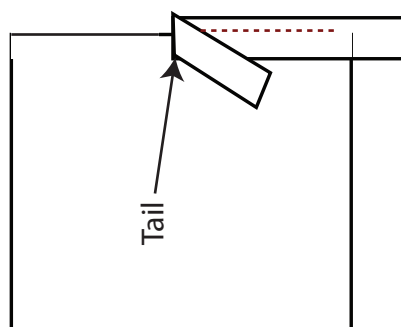
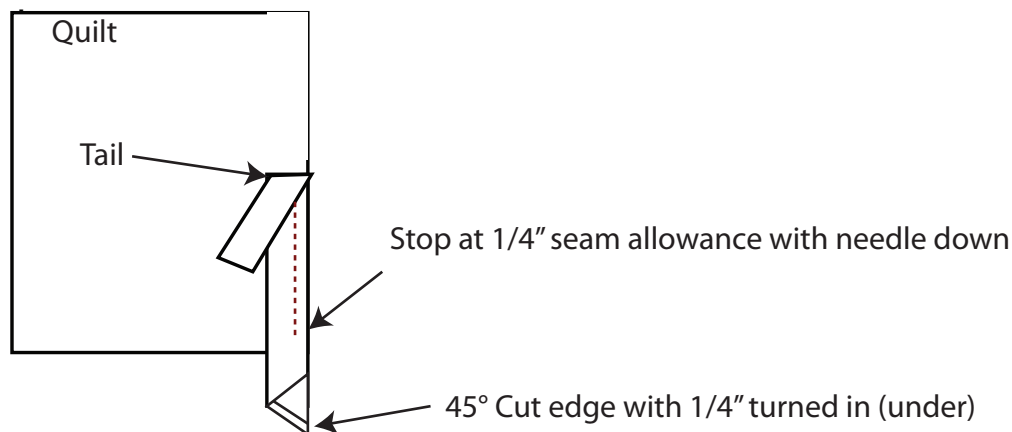
TIP: Pellon® Insul-Fleece™ #975 contains polyester which will melt at about 400°. Always add a layer of 100% cotton batting whenever an item as hot as 400° could be placed next to the Insul-Fleece. The metallic mylar reflects and retains temperatures hot or cold. Do not use in a microwave.

Variation on Traditional Straight Grain Binding

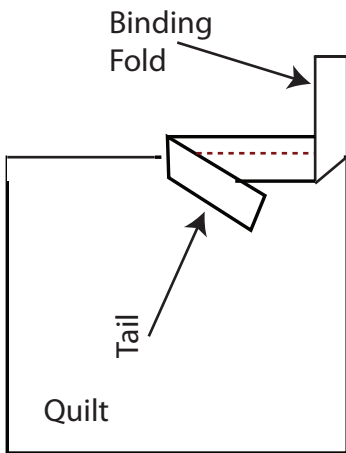
1. Cut one 2 1/4" x 40" strip. If you need to piece strips, see 'Piecing Binding and Borders Page'.
2. With wrong side up, cutting from the left side, cut one end of the binding strip on a 45° angle. Press under 1/4" on cut end.



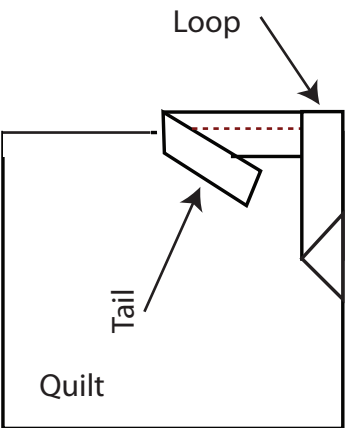
3. Fold your strip in half lengthwise with wrong sides together. Press gently.
4. Trim the edges of your mug rug evenly leaving a 1/4" seam allowance.
5. Place the raw edges of the binding strip even with the edge of the quilt. Leave a tail (approximately 2" - not the angle cut end) and then stitch in place to 1/4" away from the corner.



Turn work 90 degrees as shown. Lower presser foot and backstitch off the quilt.

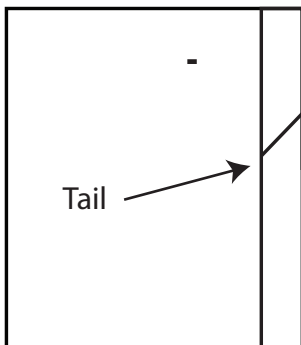


Turn binding up at 45 degree angle (it will line up with edge of quilt).



Fold binding straight down lining to the edge of the quilt as shown. It will have a loop at the upper right corner. Make sure that your loop lines up evenly with the raw edge of your previous side.

Continue stitching the binding down until you finish all 4 corners and are close to your starting point. Do not stitch into the cut angle edge area.



Tuck the starting tail inside the angled end of the binding strip.

Tuck the starting tail inside the angled end of the binding strip. Finish stitching the binding down. Hand stitch the angled edge of the binding closed.

Turn binding to back of quilt and handstitch down.